



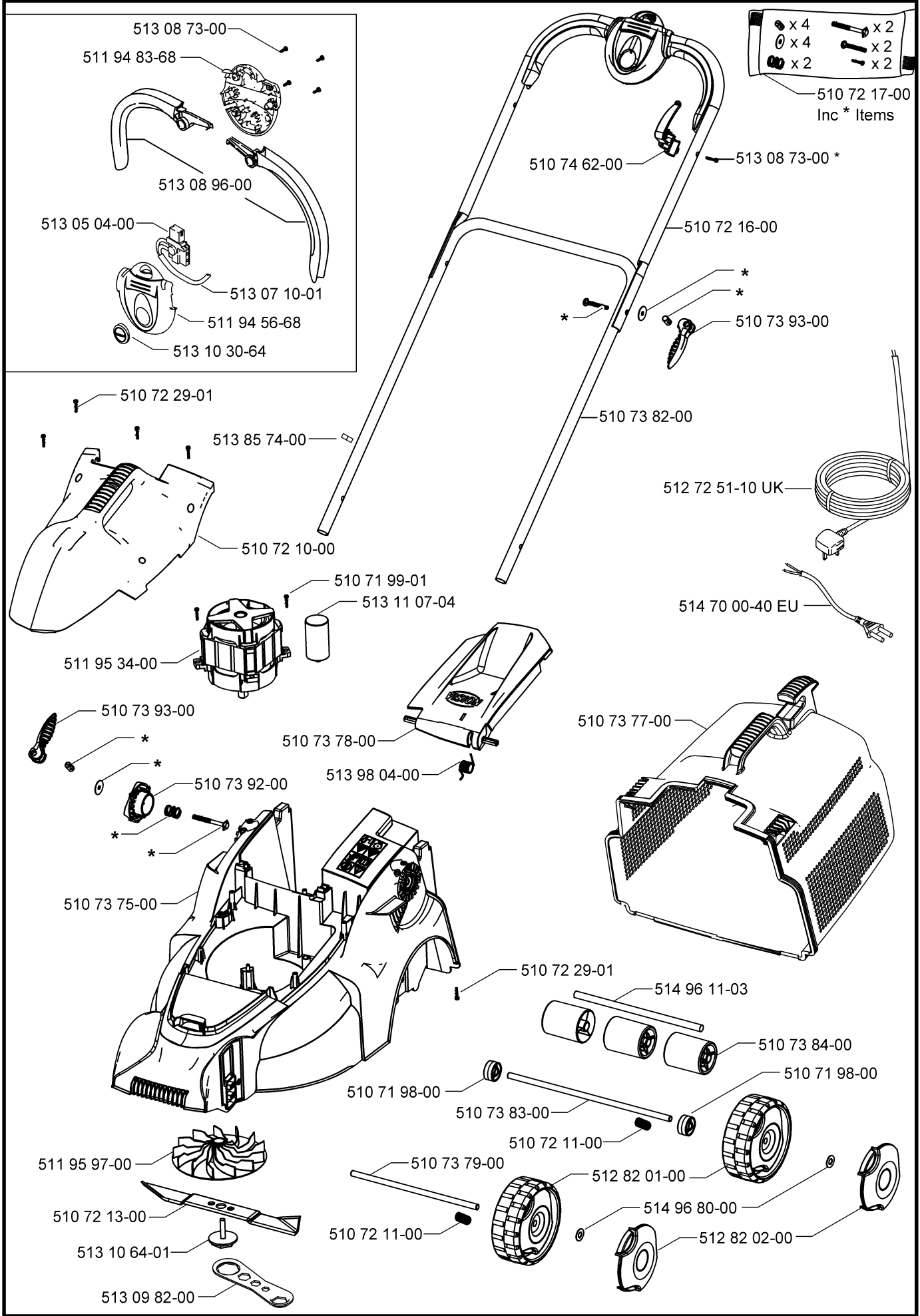
IPL, Pac A Mow, 9643305-01, 9643305-62, 2005-11

Pac A Mow



Factory:
Product Group:
Sub Group:
Publication Date:
Publication Number:

FLM - Newton Aycliffe
OM 78
Electric Wheeled: 7891
08/11/05
AP0511002



IPL, Pac A Mow, 9643305-01, 9643305-62, 2005-11

Part Number	Description	Qty	Note
510 71 98-00	SPACER AXLE	2	
510 71 99-01	SCREW 6 SPLINE 6MM DIA	2	
510 72 10-00	COWL MOTOR PRINTED	1	
510 72 11-00	SPRING AXLE	4	
510 72 13-00	BLADE 33CM	1	
510 72 16-00	HANDLE UPPER COATED	1	
510 72 17-00	FIXING KIT (PAC A MOW)	1	
510 72 29-01	SCREW 6 SPLINE 5MM DIA	5	
510 73 75-00	DECK 33CM	1	
510 73 77-00	GRASSBOX	1	
510 73 78-00	FLAP	1	
510 73 79-00	AXLE FRONT	1	
510 73 82-00	HANDLE LOWER PAINTED	1	
510 73 83-00	AXLE REAR	1	
510 73 84-00	ROLLER SEGMENT	3	
510 73 92-00	PIVOT BLOCK	2	
510 73 93-00	CAM LOCK	4	
510 74 62-00	HOOK CABLE	2	
511 94 56-68	SWITCHBOX UPPER GREY	1	
511 94 83-68	SWITCHBOX LOWER HARDWIRED	1	
511 95 34-00	MOTOR ATB INDUCTION	1	
511 95 97-00	IMPELLER 13 VANE 33CM	1	
512 72 51-03	CABLE EXT AND PLUG	1	UK
512 82 01-00	WHEEL MOULDING (DIA. 150MM)	4	
512 82 02-00	Hub Cap (Dia. 150mm)	4	
513 05 04-00	SWITCH 8A 250V	1	
513 07 10-01	LEAD ASSY	1	
513 08 73-00	SCREW NO6x19 POLYMATE PAN/HD	6	
513 08 96-00	SWITCHBOX LEVERS KIT	1	
513 09 82-00	SPANNER METAL	1	
513 10 30-64	BUTTON LOCK-OFF ORANGE	1	
513 10 64-01	BLADE BOLT INSULATED (513117)	1	
513 11 07-04	CAPACITOR MOTOR	1	
513 85 74-00	CABLE CLIP	1	
513 98 04-00	SPRING TORSION (12839)	1	
514 70 00-40	LEAD 1.00MM BLACK	1	EU
514 83 97-01	CAPACITOR PWR.HOE/MULTI TRIM	1	
514 96 11-03	AXLE TUBE	1	
514 96 80-00	10MM STARLOCK WASHER	4	